

## SFWH Safety Fast (Welded) Hanger for Solid Joists

*The SFWH Safety Fast Hangers are designed to support timber joists, beams and trussed rafters from masonry walls without the need for masonry above the top flange.*

### Features

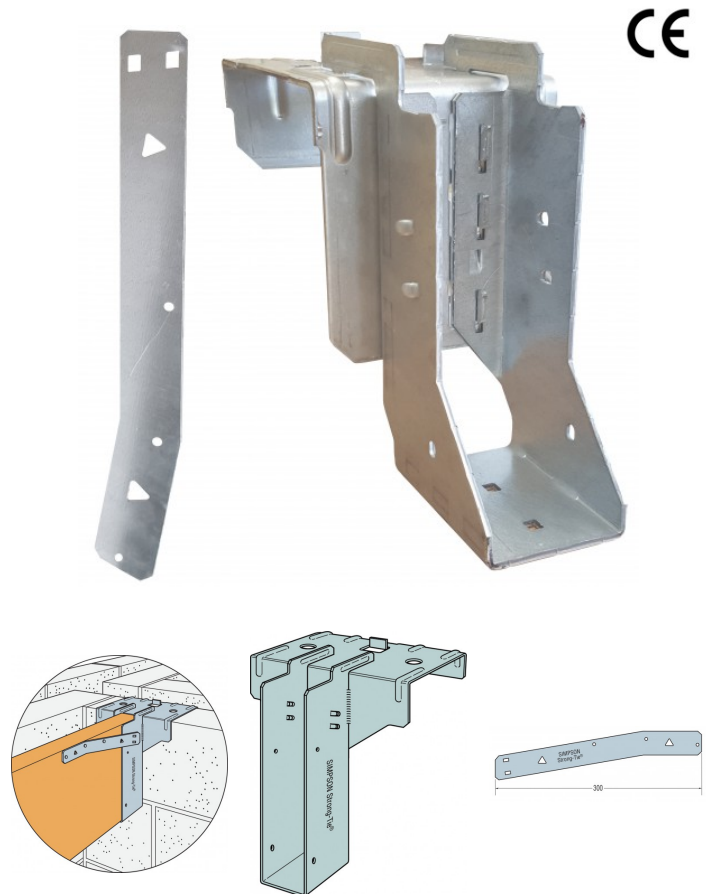
### Benefits

**Requires no masonry above the top flange to achieve the published performance values.**

- Improved vertical and lateral load distribution.
- Mini Strap simply hooks onto the hanger.
- Enables the construction of the floor deck prior to the next lift of masonry.
- Reduces Health & Safety risks associated with the use of traditional masonry hangers with no masonry above.
- Eliminates the need for propping of floor joists.
- Mini Strap provides lateral restraint capacity in accordance with NHBC guidelines.
- Allows for retrofit of lateral restraint straps.

### Material

- SFWH/SFWHI: Hot-dip galvanised mild steel
- Mini Strap: Pre-galvanised mild steel



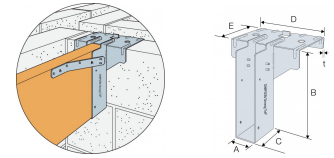
SFWH  
**Safety Fast (Welded) Hanger for Solid Joists**

## Technical Data

# Technical data sheet



## SFWH Safety Fast (Welded) Hanger for Solid Joists



### Product Dimensions

References	Product Dimensions [mm]						Joist holes		Mini Strap holes
	A	B	C	D	E	t	Ø6x4 Oblong [mm]	Ø4.1 [mm]	Ø4.2 [mm]
SFWH225/38/100	38	215	75	200	103	2.5	2	2	3
SFWH225/40/100	40	215	75	200	103	2.5	2	2	3
SFWH250/40/100	40	240	75	200	103	2.5	2	2	3
SFWH100/47/100	47	100	75	200	103	2.5	2	2	3
SFWH125/47/100	47	125	75	200	103	2.5	2	2	3
SFWH150/47/100	47	140	75	200	103	2.5	2	2	3
SFWH175/47/100	47	165	75	200	103	2.5	2	2	3
SFWH200/47/100	47	190	75	200	103	2.5	2	2	3
SFWH225/47/100	47	215	75	200	103	2.5	2	2	3
SFWH250/47/100	47	240	75	200	103	2.5	2	2	3
SFWH300/47/100	47	290	75	200	103	2.5	2	2	3
SFWH100/50/100	50	100	75	200	103	2.5	2	2	3
SFWH125/50/100	50	125	75	200	103	2.5	2	2	3
SFWH150/50/100	50	140	75	200	103	2.5	2	2	3
SFWH175/50/100	50	165	75	200	103	2.5	2	2	3
SFWH200/50/100	50	190	75	200	103	2.5	2	2	3
SFWH225/50/100	50	215	75	200	103	2.5	2	2	3
SFWH250/50/100	50	240	75	200	103	2.5	2	2	3
SFWH300/50/100	50	290	75	200	103	2.5	2	2	3
SFWH100/75/100	75	100	75	200	103	2.5	2	2	3
SFWH125/75/100	75	125	75	200	103	2.5	2	2	3
SFWH150/75/100	75	140	75	200	103	2.5	2	2	3
SFWH175/75/100	75	165	75	200	103	2.5	2	2	3
SFWH200/75/100	75	190	75	200	103	2.5	2	2	3
SFWH225/75/100	75	215	75	200	103	2.5	2	2	3
SFWH250/75/100	75	240	75	200	103	2.5	2	2	3
SFWH300/75/100	75	290	75	200	103	2.5	2	2	3
SFWH100/91/100	91	100	75	200	103	2.5	2	2	3
SFWH125/91/100	91	125	75	200	103	2.5	2	2	3
SFWH150/91/100	91	140	75	200	103	2.5	2	2	3
SFWH175/91/100	91	165	75	200	103	2.5	2	2	3
SFWH200/91/100	91	190	75	200	103	2.5	2	2	3
SFWH225/91/100	91	215	75	200	103	2.5	2	2	3
SFWH250/91/100	91	240	75	200	103	2.5	2	2	3
SFWH300/91/100	91	290	75	200	103	2.5	2	2	3
SFWH100/99/100	99	100	75	200	103	2.5	2	2	3
SFWH125/99/100	99	125	75	200	103	2.5	2	2	3
SFWH150/99/100	99	140	75	200	103	2.5	2	2	3
SFWH175/99/100	99	165	75	200	103	2.5	2	2	3
SFWH200/99/100	99	190	75	200	103	2.5	2	2	3
SFWH225/99/100	99	215	75	200	103	2.5	2	2	3
SFWH250/99/100	99	240	75	200	103	2.5	2	2	3
SFWH300/99/100	99	290	75	200	103	2.5	2	2	3
SFWH100/116/100	116	100	75	200	103	2.5	2	2	3
SFWH125/116/100	116	125	75	200	103	2.5	2	2	3

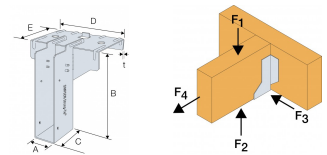
# Technical data sheet



## SFWH Safety Fast (Welded) Hanger for Solid Joists

References	Product Dimensions [mm]						Joist holes		Mini Strap holes
	A	B	C	D	E	t	Ø6x4 Oblong [mm]	Ø4.1 [mm]	Ø4.2 [mm]
SFWH150/116/100	116	140	75	200	103	2.5	2	2	3
SFWH175/125/100	125	165	75	275	103	2.5	2	2	3
SFWH200/125/100	125	190	75	275	103	2.5	2	2	3
SFWH225/125/100	125	215	75	275	103	2.5	2	2	3
SFWH250/125/100	125	240	75	275	103	2.5	2	2	3
SFWH300/125/100	125	290	75	275	103	2.5	2	2	3
SFWH100/135/100	135	100	75	275	103	2.5	2	2	3
SFWH125/135/100	135	125	75	275	103	2.5	2	2	3
SFWH150/135/100	135	140	75	275	103	2.5	2	2	3
SFWH175/135/100	135	165	75	275	103	2.5	2	2	3
SFWH200/135/100	135	190	75	275	103	2.5	2	2	3
SFWH225/135/100	135	215	75	275	103	2.5	2	2	3
SFWH250/135/100	135	240	75	275	103	2.5	2	2	3
SFWH300/135/100	135	290	75	275	103	2.5	2	2	3
SFWH100/150/100	150	100	75	275	103	2.5	2	2	3
SFWH125/150/100	150	125	75	275	103	2.5	2	2	3
SFWH150/150/100	150	140	75	275	103	2.5	2	2	3
SFWH175/150/100	150	165	75	275	103	2.5	2	2	3
SFWH200/150/100	150	190	75	275	103	2.5	2	2	3
SFWH225/150/100	150	215	75	275	103	2.5	2	2	3
SFWH250/150/100	150	240	75	275	103	2.5	2	2	3
SFWH300/150/100	150	290	75	275	103	2.5	2	2	3
SFWH100/180/100	180	100	75	275	103	2.5	2	2	3
SFWH100/200/100	200	100	75	275	103	2.5	2	2	3
SFWH125/200/100	200	125	75	275	103	2.5	2	2	3
SFWH150/200/100	200	140	75	275	103	2.5	2	2	3
SFWH175/200/100	200	165	75	275	103	2.5	2	2	3
SFWH200/200/100	200	190	75	275	103	2.5	2	2	3
SFWH225/200/100	200	215	75	275	103	2.5	2	2	3
SFWH250/200/100	200	240	75	275	103	2.5	2	2	3
SFWH300/200/100	200	290	75	275	103	2.5	2	2	3

### Product Capacities - Timber to Masonry



References	Number of Fasteners				Characteristic Capacities [kN]		Safe Working Loads [kN]		
	Joist		Mini Strap		$R_{1,k}$		$R_{1,SWL}$		
	Qty	Type	Qty	Type	3.5N/mm <sup>2</sup> Solid LAC	7N/mm <sup>2</sup> Solid DAC	3.5N/mm <sup>2</sup> Solid AAC	2.8N/mm <sup>2</sup> Solid LAC	7N/mm <sup>2</sup> Solid DAC
SFWH (A ≤ 63mm)	2	N3.75x30	3	N3.75x30	18.6	18.6	9.3	7.4	9.3
SFWH (A > 63mm)	2	N3.75x30	3	N3.75x30	28.9	28.9	14.5	11.6	14.5

SFWH

## Safety Fast (Welded) Hanger for Solid Joists

# Installation

## Installation

### Use all specified nails.

- Build masonry to required level, ensuring any coursing bricks or blocks are at least one course below the supporting block, and leave to cure.
- Place the Safety Fast Restraint Hanger over the inner leaf of block work, ensuring the bearing plate is fully located onto the top of the masonry, sitting tight against the front face and top of the block work.
- Sit the floor joist into the masonry hanger and ensure all joists are correctly installed. The joist should be tight into the back of the hanger where possible. The maximum gap between the back of the hanger and the end of the joist is 6mm. Use specified nails.
- Clip the Safety Fast Mini Strap onto the restraining hooks on either side of the hanger and nail to the side face of the joist with 3.75 x 30mm square twist nails. **INSTALL ONLY ONE STRAP PER HANGER.**

### General Installation Notes

- The floor decking may be stored on the joists provided the load is uniformly distributed between the several joists and does not exceed the hanger or joist capacities. Refer to joist manufacturer or supplier for joist capacity and maximum construction loads.
- The floor decking must be securely attached to each joist before additional loads can be placed on the system.
- Floor decking and block work is to be cut where necessary to fit around the upstand stiffeners.
- Pallets of blocks or other construction materials should be placed onto the scaffolding and NOT directly onto the floor.
- The materials can then be evenly distributed around the floor manually, ensuring hanger or joist capacities are not exceeded.

Winchester Road Cardinal Point Tamworth  
Staffordshire B78 3HG  
tel: +44 1827 255600  
fax: +44 1827 255616

Copyright by Simpson Strong-Tie®

Information presented on this document is the exclusive property of Simpson Strong-Tie®  
It is valid only when associated with products supplied by Simpson Strong-Tie®

SFWH

**Safety Fast (Welded) Hanger for  
Solid Joists**[www.strongtie.co.uk](http://www.strongtie.co.uk)**SIMPSON**  
**Strong-Tie**

2024-04-23