

PWR

Partition Wall Restraint

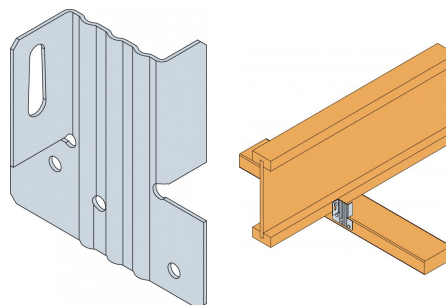
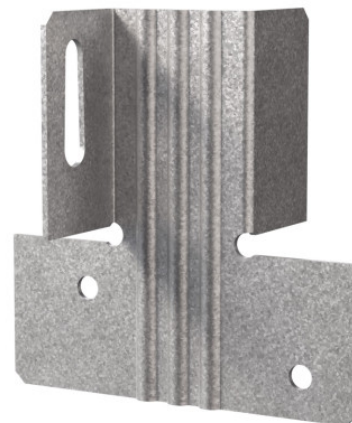
The PWR connector is used to laterally restrain the top of a non-load bearing partition wall by connecting it to the floor joists above. The tapered slot allows for joist deflection when it is loaded, while still restraining the partition wall.

- Provides lateral restraint to non-load bearing partition walls.
- Allows joist deflection.

Features

Material

- Pre-galvanised mild steel



PWR
Partition Wall Restraint

Technical Data

Dimensions & Performance Values

References	Dimensions and drill holes [mm]						Fixing	
	A	B	C	D	E	Thickness	Flange A	Flange D
							Ø4.1	Tapered Slot
PWR15	65	36	65	20	15	1	3	1

- 3.75x30 refers to a Galvanised or Sheradised Square Twist Nail

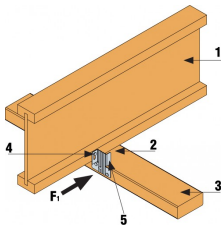
Performance Values

References	Fasteners		Safe Working Loads [kN]
	Flange A	Flange D	$R_{4,SWL}$, Short Term
			N3.75x30
PWR15	3	1	0.5

Installation

Installation

- Position the connector on top of the header rail and against the floor joist.
- Secure the connector to the header rail with the specified fasteners.
- The bottom of the location tab should sit on the top of the header rail.
- Secure the connector to the joist with the specified fasteners, allowing a 1-2mm gap between the underside of the fastener head and the PWR connector.
- The fastener MUST be installed at the top of the tapered slot as this allows for the deflection of the joist.
- Maximum gap between the partition and the joist is 15mm.
- **PLEASE NOTE:** The fastener into the joist MUST be hand nailed to ensure the gap between the underside of the nail head and the PWR connector is maintained



1. Floor Joist 2. 15mm gap between joist and header rail. 3. Header Rail of partition 4. 1-2mm gap between fastener head and connector. 5. Location Tab.

